

INSTRUCTIONS OF RECEIVER JJ-JS-092-B2GD

I. Safety Instruction

1. For security, please read instructions carefully before initial operation; making sure that the power is off before connection.
2. Please clean the memory before initial operation. (Ref: Erasing ALL learned/memorized Transmitters)
3. Do not learn the remote control when motor is operating in order to avoid mis-operation.
4. The received signal may be interfered by other communication devices. (e.g. the wireless control system with the same frequency range)
It is forbidden to control the high-risk coefficient equipment / system. (e.g. cranes)
6. It is used only for the manual remote control and wireless control equipment / system which must not endanger life or property during running failure, or its security risks have been eliminated
7. It should be applied in dry indoor place or in the electric appliance place.

II. Technical parameters

Frequency: 433.92MHz

Channel: 2chs

Distance: 100m

Waterproof: IP40

Work current: 10-60mA

Power supply: 12-24V AC/DC

Memory Capacity: 200 codes Open code

Temperature: -25 ~ +85 degree centigrade Static current: 5mA+/-2

III. Set up and working process

When the power is initiated the LED will light for 1 second and the receiver is ready for instructions.

LEARNING CODE: Press Learning button for at least 1 second, the LED will light for 1 second, go off for 1 second and then light again, press any button on the remote, if the code is learnt successfully, the LED will blink; then release the button on the remote, the LED will be OFF. If the remote cannot read the signal, the LED will light for 10 seconds and finish its learning status.

PROGRAMMING METHOD:

- A. Press "LEARN" once, the LED flashes once and the first channel (Latch) activates.
- B. Press "LEARN" twice times, the LED flashes twice and the second channel (Latch) activates.
- C. Press "LEARN" three times, the LED flashes three times and the first channel (non-latch) activates.
- D. Press "LEARN" four times, the LED flashes four times and the second channel (non-latch) activates

DELETING FUNCTION:

- A. Deleting one code: Press "DELETE" for approximately 2 seconds, the LED will light, press

the button of the code you no longer require and the code will be deleted.

B. Deleting all codes: Press "DELETE" for 10 seconds or until the LED flashes 10 times, release the button, all codes will have been deleted.

IV. Operation

1. Transmitter button 1 controls receiver channel 1, transmitter button 2 controls receiver channel 2, no matter users use button 1 to learn or button 2
2. Transmitter button 3 controls receiver channel 1, transmitter button 4 controls receiver channel 2, no matter users use button 3 to learn or button 4
3. Non-latch: Keep pressing the button, receiver starts working. Release the button, receiver stops working .
4. Latch: Press the button, receiver starts working. Press button again, receiver stops working .

V: Diagram

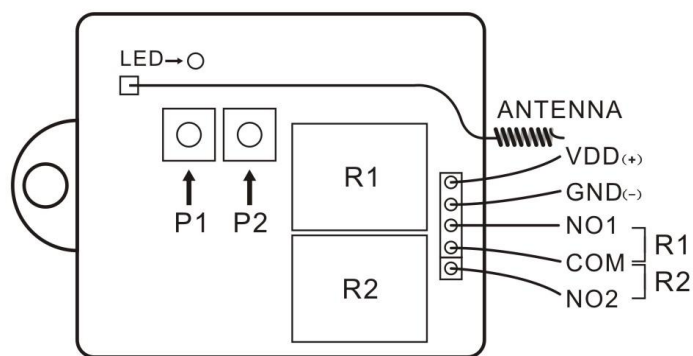
RED: VDD(+)

BLACK: VCC (-)

GREEN: CH1

YELLOW: CH2

WHITE: COM



Note: P1= LEARN BUTTON

R1= RELAY 1

P2= DELETE BUTTON

R2= RELAY 2